

✓ **MODEL 65023: KITCHENETTE TOP**

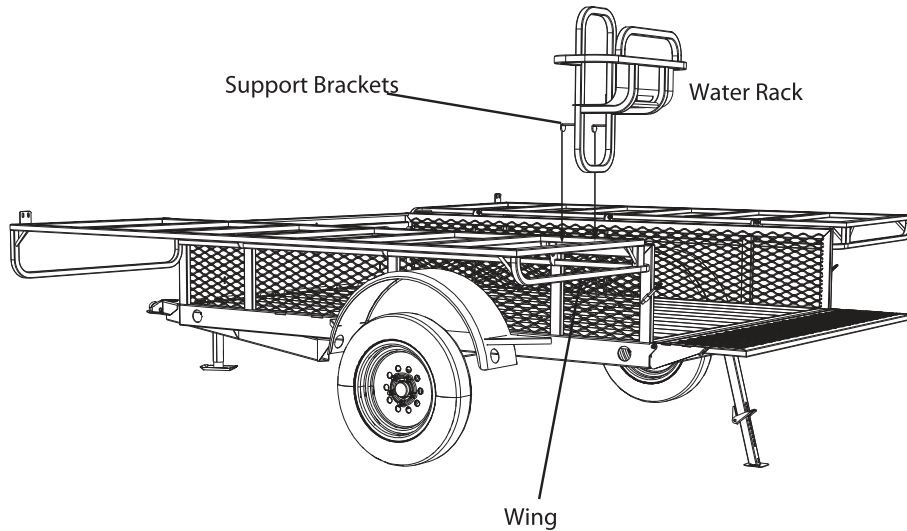
ID	Item Description	Qty	✓
BPB	Sink/Counter Combo	1	<input type="checkbox"/>
BPC	Drain Hose	1	<input type="checkbox"/>
BPY	Storage Bag (not shown)	1	<input type="checkbox"/>

**NOTE:** The Kitchenette Top Accessory is used in conjunction with the **Cooler Rack** (Model 65018) and the **Water Rack** (Model 65017). Both are shown in this set of instructions; however, they are not included with this model.

**SEC**  
1.1

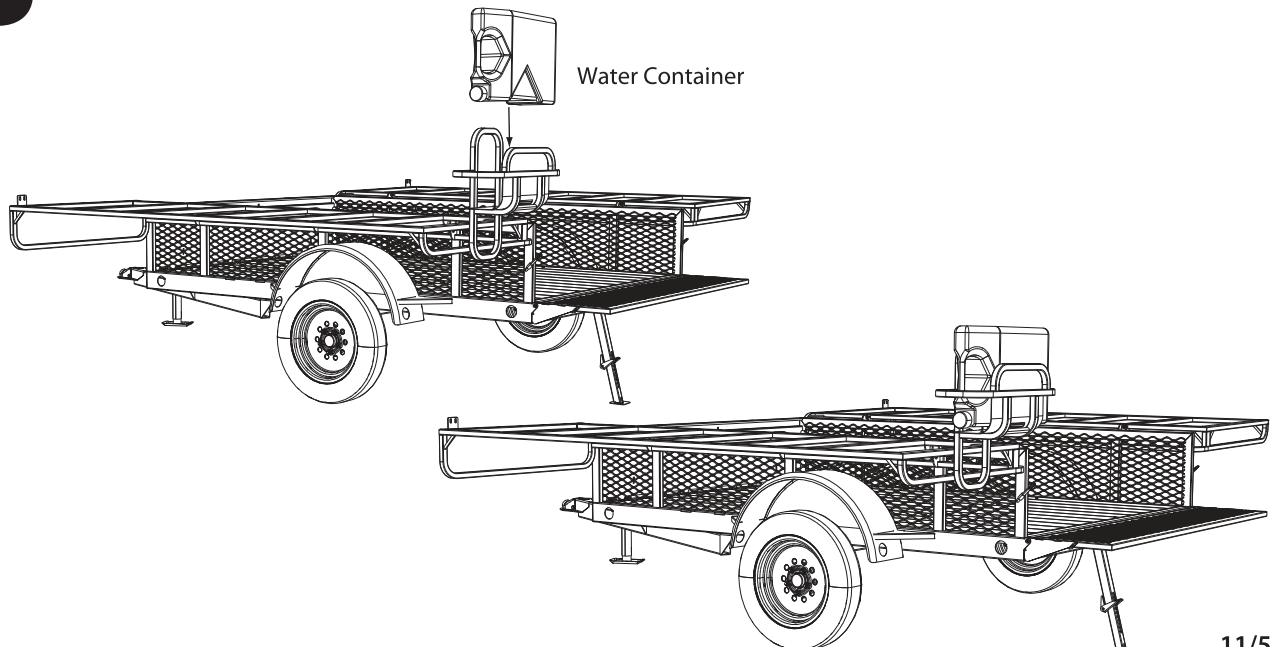
**WATER RACK INSTALLATION**

Set the Water Rack Support Brackets onto the edge of the Trailer Wing as shown



**SEC**  
1.2

Set the Water Container down into the Water Rack as shown.

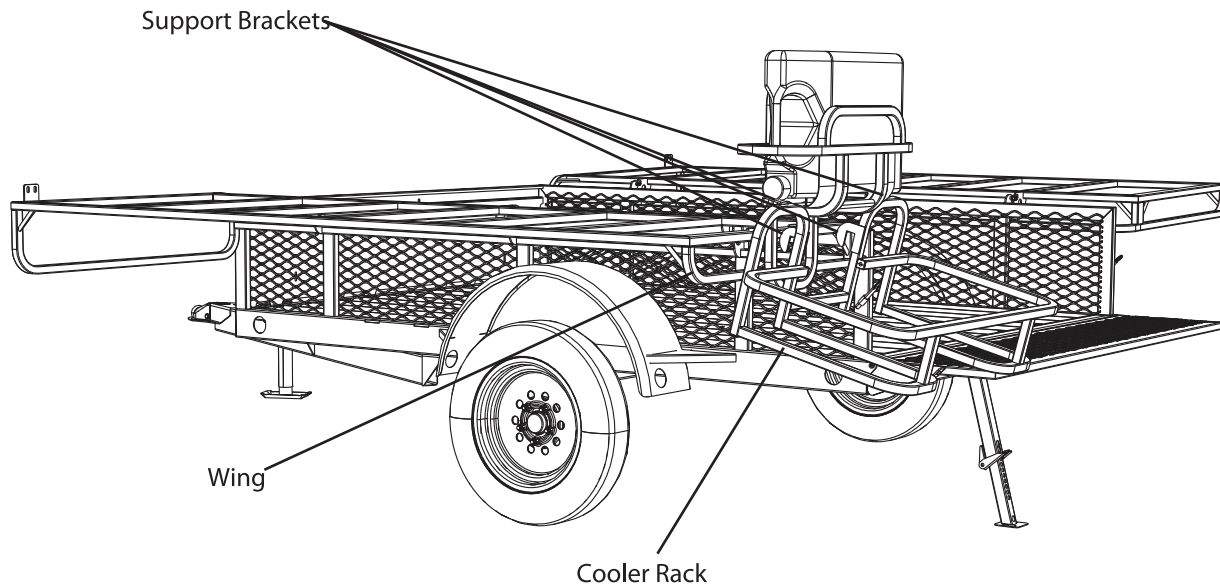


**SEC**

**2.1**

**COOLER RACK INSTALLATION**

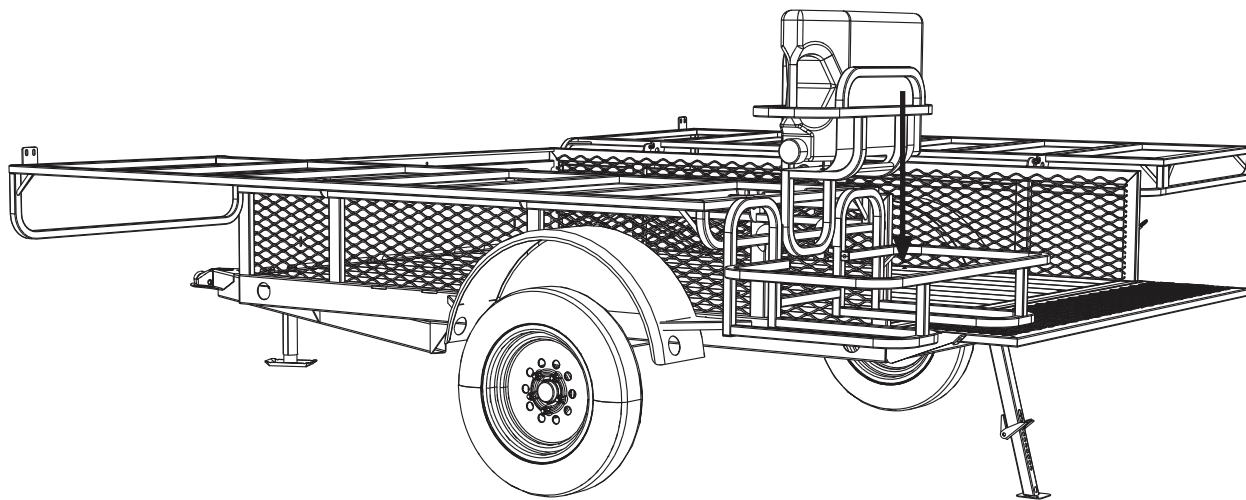
Set the Cooler Rack support brackets onto the edges of the wings as shown.



**SEC**

**2.2**

Press down on the Cooler Rack so the support brackets lay flush against the wing of the trailer.

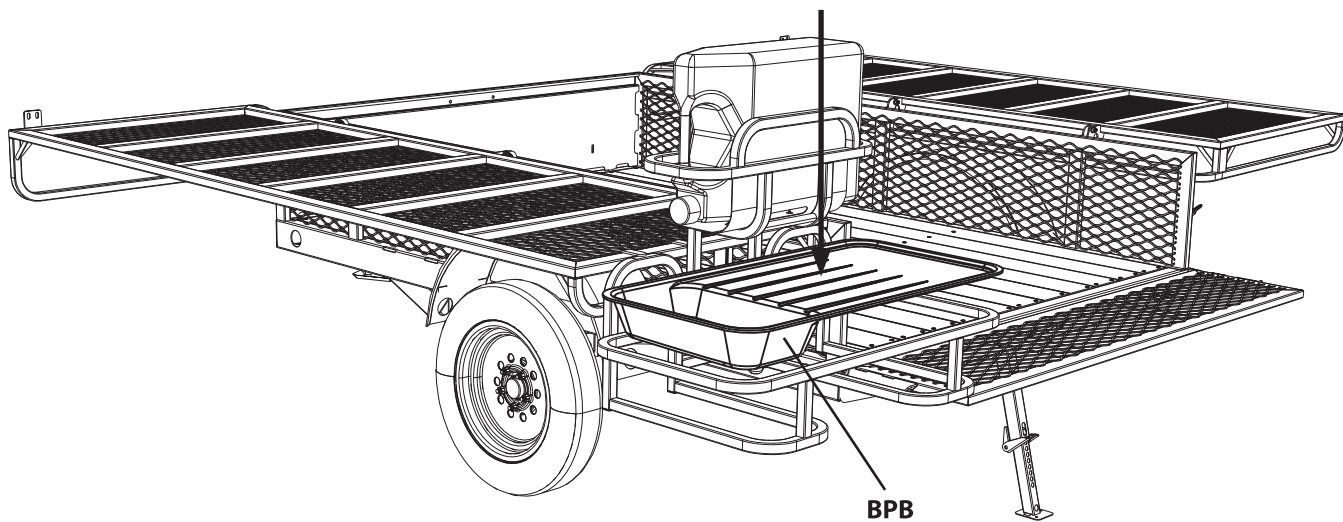


## KITCHENETTE TOP INSTALLATION

SEC

3.1

Set the Sink/Counter Combo (**BPB**) on the Cooler Rack as shown.



SEC

3.2

Connect the Drain Hose (**BPC**) to the bottom of the Sink/Counter Combo. Orient the Drain Hose in an appropriate direction.

