

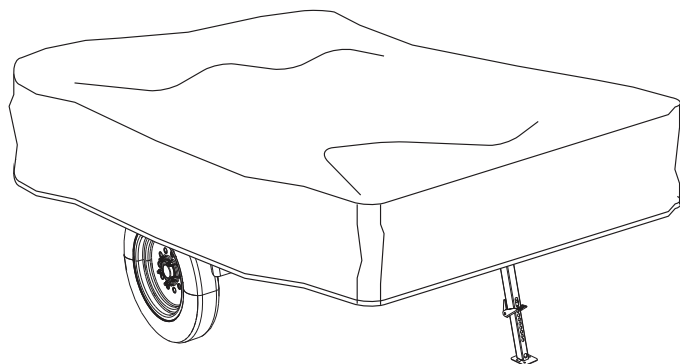
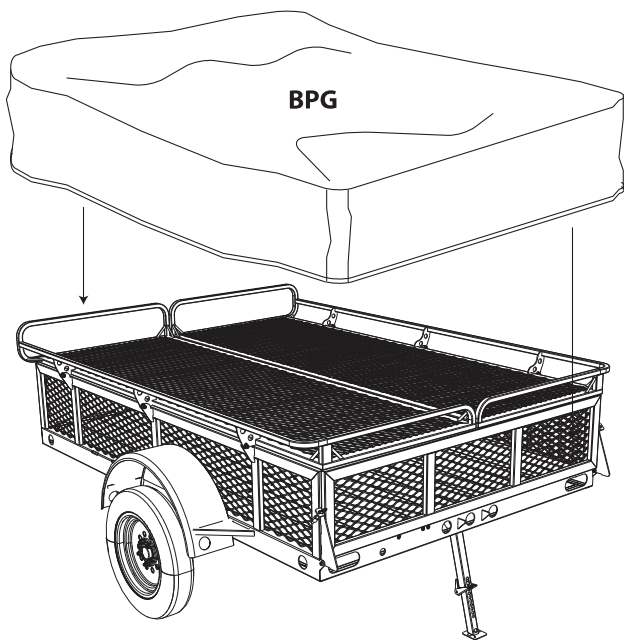
✓ **MODEL 65028: STORAGE COVER**

ID	Item Description	Qty	✓
BPG	Storage Cover	1	☐

**STORAGE COVER USE INSTRUCTIONS**

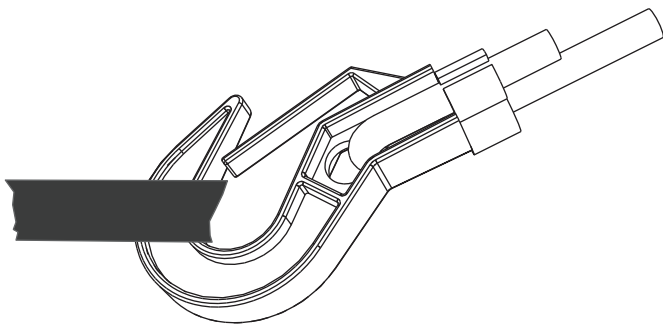
**SEC**

1 Completely close the Trailer as shown. Unfold the Storage Cover (**BPG**) and set Storage Cover over the Trailer.



**SEC**

2 Insert the Bungee Hook through the Loop at a corner of the Storage Cover.



**SEC**

3 Tighten the Storage Cover around the corner of the Trailer by removing the cord from the clip on the Bungee Hook and pulling taut. Re-insert the cord back into the clip. Repeat steps 2-3 for each corner of the Storage Cover.

