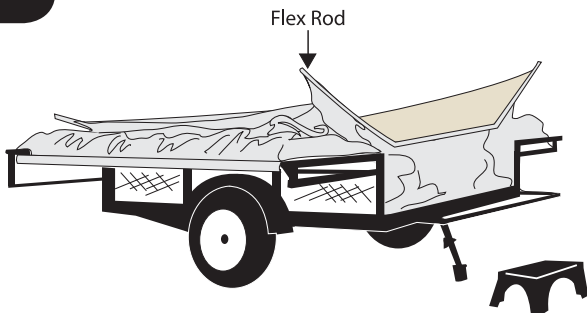


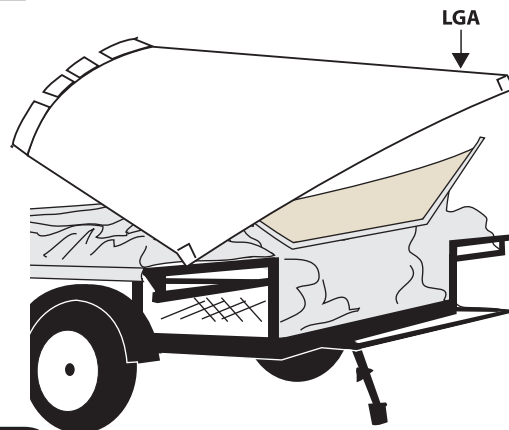
✓ **MODEL 65020: LARGE AWNING**

ID	Item Description	Qty	✓
LGA	Large Awning	1	<input type="checkbox"/>
LAB	Large Awning Bag	1	<input type="checkbox"/>
LFP	Fiberglass Pole	2	<input type="checkbox"/>
AMP	Adjustable Metal Pole	1	<input type="checkbox"/>
LPB	Pole Bag	1	<input type="checkbox"/>
LTC	T-Connector	1	<input type="checkbox"/>
LST	Stake	3	<input type="checkbox"/>
LGR	Guy Rope	3	<input type="checkbox"/>
PBG	Parts Bag	1	<input type="checkbox"/>

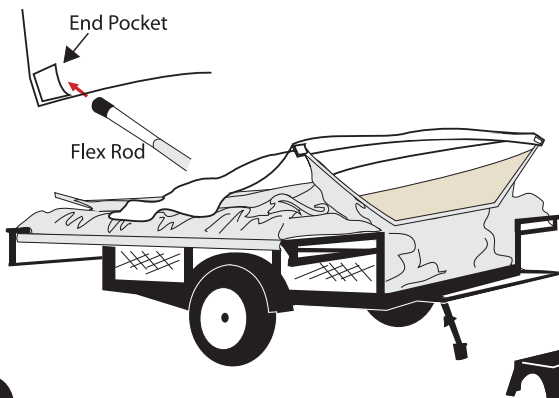
SEC 1.1 **LARGE AWNING INSTALLATION INSTRUCTIONS**
Open the Trailer and unfold the Tent as shown.



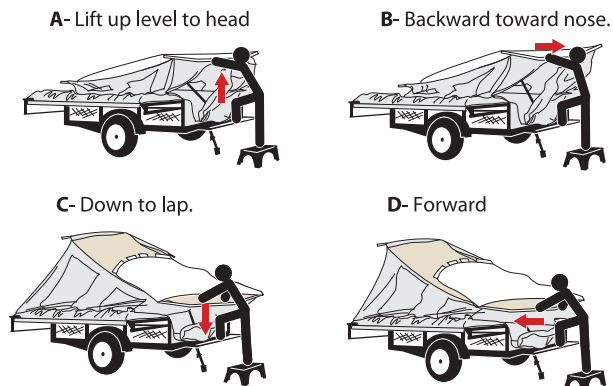
SEC 1.2 Lay out the **Large Awning (LGA)** upside down and on top of the Tent.



SEC 1.3 Insert the ends of each Flex Rod into the End Pockets of the Large Awning.



SEC 1.4 Set Tent up with one foot on tailgate and the other on the step stool. Grasp the Tent by the Flex Rods near the center and slowly trace a square:



SEC 1.5 While standing on tailgate:



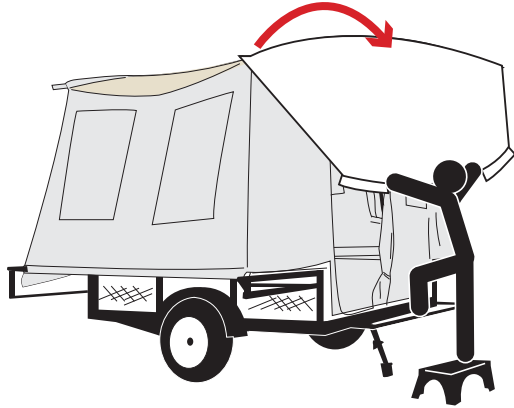
F- Pull the Frame Upright toward body to lock in place.



MODEL 65020: LARGE AWNING

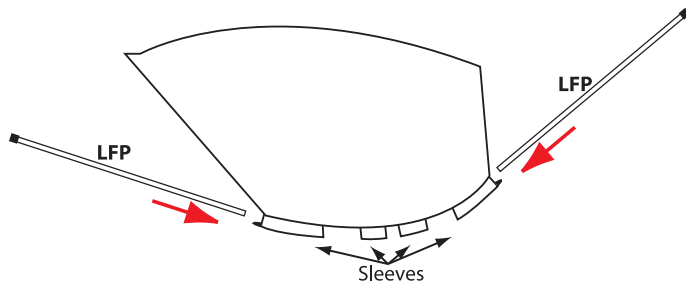
SEC
1.6

Bring the Large Awning forward into position over front of tent.



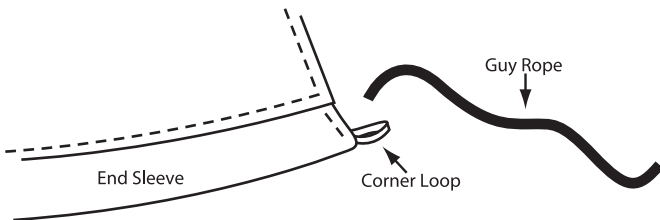
SEC
1.8

Insert the two Fiberglass Poles (LFP), one from each end, through the sleeves of the Large Awning.



SEC
1.10

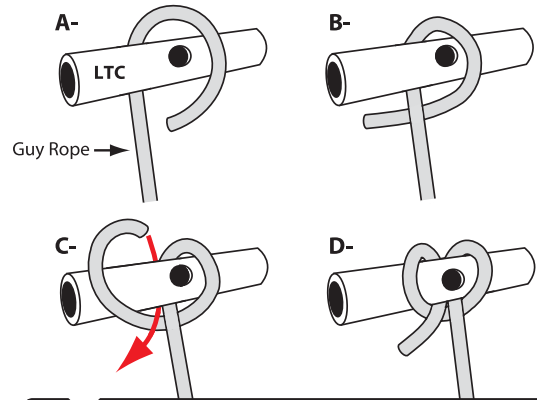
Tie the two remaining Guy Ropes to the Corner Loops at the outside corners of the two end sleeves of the Large Awning.



! Note: Check knot throughout use for continued tightness.

SEC
1.7

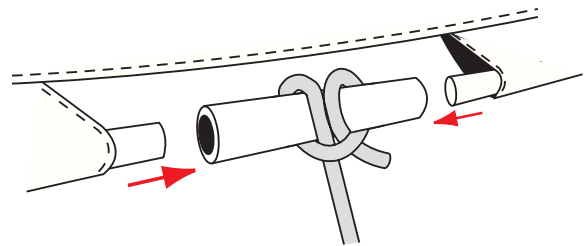
With one Guy Rope (LGR) tie a Cow Hitch around the T-Connector (LTC) as shown.



! Note: Check knot throughout use for continued tightness.

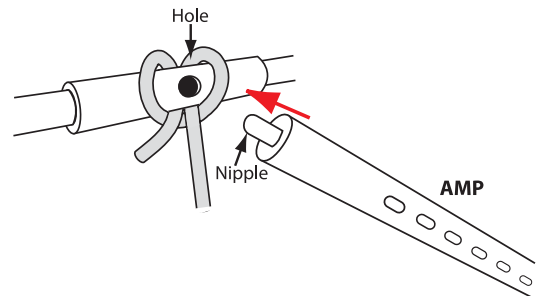
SEC
1.9

Insert the ends of the two Fiberglass Poles into the T-Connector.



SEC
1.11

Set Adjustable Metal Pole (AMP) to desired height, and insert the nipple at the top of the Adjustable Metal Pole into the hole in the T-Connector.



MODEL 65020: LARGE AWNING

SEC 1.12

.....
Raise up the Large Awning with the bottom of the Adjustable Metal Pole on the ground. Pull the center Guy Rope and stake to the ground using a Stake (LST).



SEC 1.13

.....
Stake out the remaining two Guy Ropes. Tighten and secure.



.....
Note: Strong wind gusts may cause damage to Small Awning. Discontinue use in extreme wind conditions.