

MODEL 65016: PROPANE RACK INSTALLATION & USE

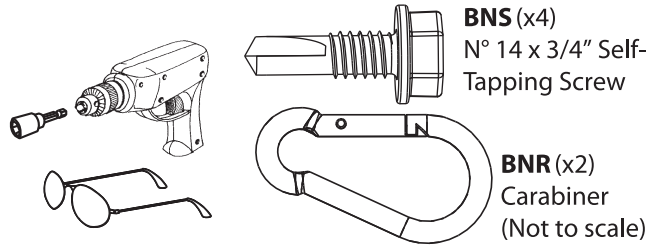


PARTS & HARDWARE LIST



TOOLS AND HARDWARE REQUIRED

ID	Item Description	Qty	✓
BNQ	Propane Rack	1	<input type="checkbox"/>
BNS	N° 14 x 3/4" Self-Tapping Screw	4	<input type="checkbox"/>
BNR	Carabiner	2	<input type="checkbox"/>
BNT	Ratchet Strap	1	<input type="checkbox"/>

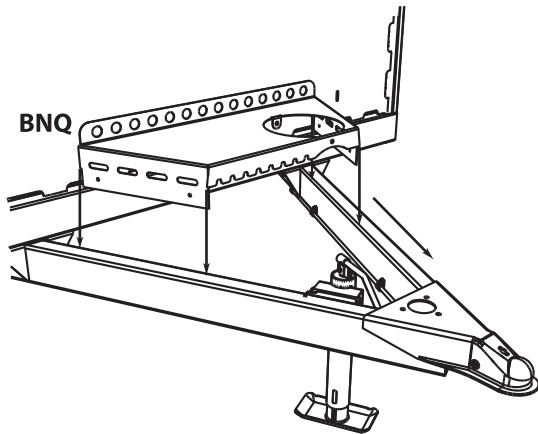


SEC

PROPANE RACK INSTALLATION INSTRUCTIONS

1.1

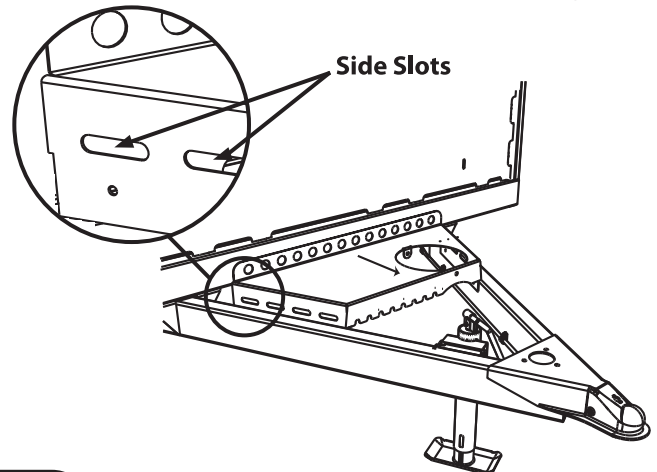
Place **Propane Rack (BNQ)** down into the "V" opening of the tongue and as far forward towards the coupler as possible.



SEC

1.2

Align the bottom of the side slots (4 on each side of Propane Rack) with the top of the tongue. Make sure that the side slots do not drop below the top of the tongue.

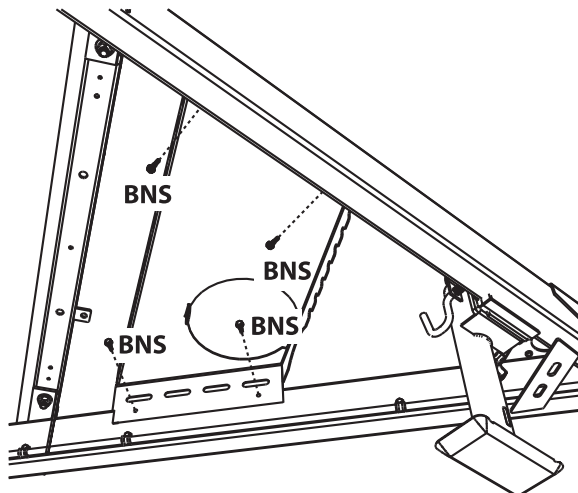


SEC

1.3

TWO ADULTS REQUIRED FOR THIS STEP

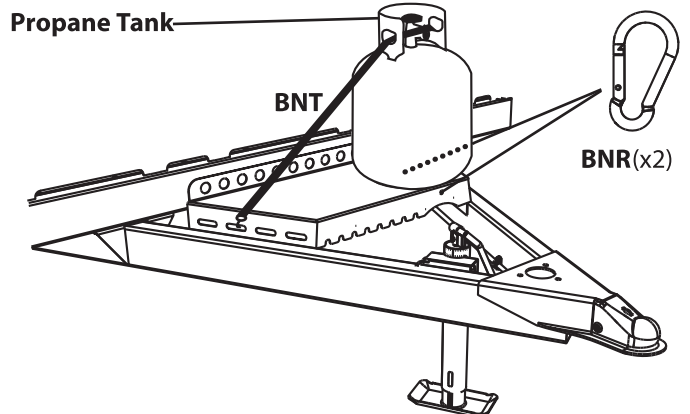
While one adult holds the Propane Rack in place, or secured with clamps, insert the four (4) **N° 14 x 3/4" Self-Tapping Screws (BNS)** to secure the Propane Rack to the tongue as shown.



SEC

1.4

Align the holes in your propane tank base with those in the Propane Rack, and secure your propane tank to the Propane Rack using the two **Carabiners (BNR)** and the **Ratchet Strap (BNT)**.



Note: Your propane tank may look different than the one pictured.